

Fire Screen Burner

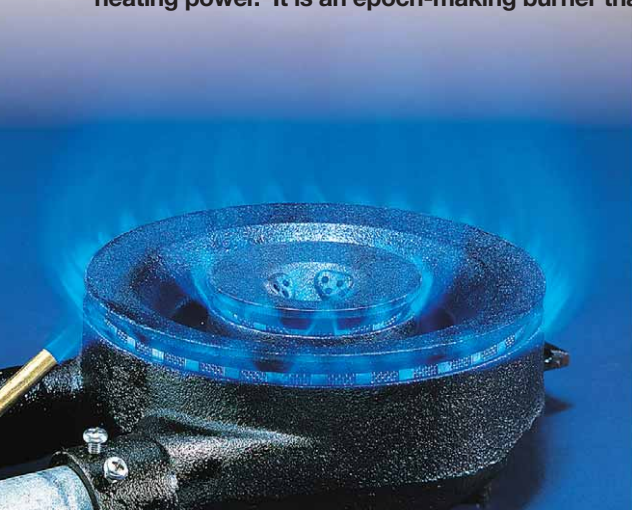
Small design!! But powerful heating power!

Best seller of excellent durability!!

5,800
20,000
kcal/h
(6.74 ~ 23.3kW)

The industry's first "Fire Screen"

Fire Screen Burner adopts the "fire screen" where the port is covered by a belt-shaped heat-resistant stainless-steel mesh. It improves thermal efficiency even more and realizes powerful heating power. It is an epoch-making burner that reliably handles speedy cooking.



Point 1 **Small but powerful!**
It can be used for various cooking menus.

Small design and powerful as never before, and also adjustable to give a low flame easily. Ranging from heating or stew to Chinese food that require a high flame, it can be used for various menus.

Point 2 **Structure that prevents clogging by boiled-over.**

The flame goes up coming out from the side. So that boiled over food does not drop directly on the flame ports. You don't need worry about clogging.



Point 3 **Easy to clean.**

Burner head and mesh part can be removed easily, facilitating washing with water and cleaning.

If the surroundings of the place where the product is installed are not incombustible structure, a soup stand or a heat insulating board must be installed. ※ Please see the back cover for more detail.

Fire Screen Burner



※ Please use pots not larger than ϕ 300mm.

MG-240C

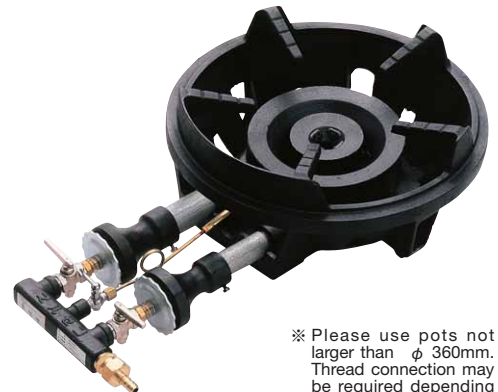
Gas consumption 6.74kW(5,800kcal/h)
List Price : ¥17,000
(tax-excluded)



※ Please use pots not larger than ϕ 360mm.

MG-250B

Gas consumption 9.30kW(8,000kcal/h)
List Price : ¥22,000
(tax-excluded)



※ Please use pots not larger than ϕ 360mm. Thread connection may be required depending on gas type.

MG-260B

Gas consumption 12.2kW(10,500kcal/h)
List Price : ¥30,000
(tax-excluded)



※ Please use pots not larger than ϕ 400mm. Thread connection may be required depending on gas type.

MG-270B

Gas consumption 15.7kW(13,500kcal/h)
List Price : ¥34,000
(tax-excluded)



※ Please use pots not larger than ϕ 420mm.

MG-280B

Gas consumption 19.8kW(17,000kcal/h)
List Price : ¥40,000
(tax-excluded)



※ Please use pots not larger than ϕ 440mm.

MG-290B

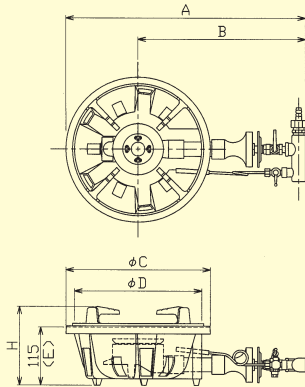
Gas consumption 23.3kW(20,000kcal/h)
List Price : ¥47,000
(tax-excluded)

■ Fire Screen Burner Specifications Table

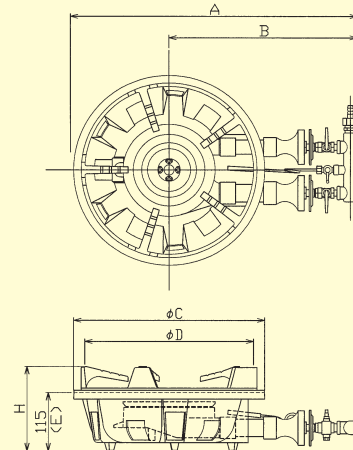
Model	External dimensions (mm)						Gas consumption		Gas connection		Weight (kg)
	A	B	C	D	E	H	Town gas	LP gas	13A, 12A	LP gas	
MG-240C	475	330	290	250	115	158	6.74kW (5,800kcal/h)	6.74kW (0.48kg/h)	※ 13mm (Rubber tube connection)	9.5mm (Rubber tube connection)	7.0
MG-250B	505	350	310	275	115	148	9.30kW (8,000kcal/h)	9.30kW (0.67kg/h)	13mm (Rubber tube connection)	9.5mm (Rubber tube connection)	8.0
MG-260B	544	365	357	315	115	160	12.2kW (10,500kcal/h)	12.2kW (0.88kg/h)	13mm (Rubber tube connection)	9.5mm (Rubber tube connection)	14.5
MG-270B	557	370	374	330	115	165	15.7kW (13,500kcal/h)	15.7kW (1.13kg/h)	13mm (Rubber tube connection)	15A	15.4
MG-280B	583	390	385	350	115	170	19.8kW (17,000kcal/h)	19.8kW (1.42kg/h)	15A	15A	17.8
MG-290B	614	405	416	380	115	175	23.3kW (20,000kcal/h)	23.3kW (1.67kg/h)	15A	15A	21.5

●※ only for 13A

■ Drawing for MG-240C, 250B

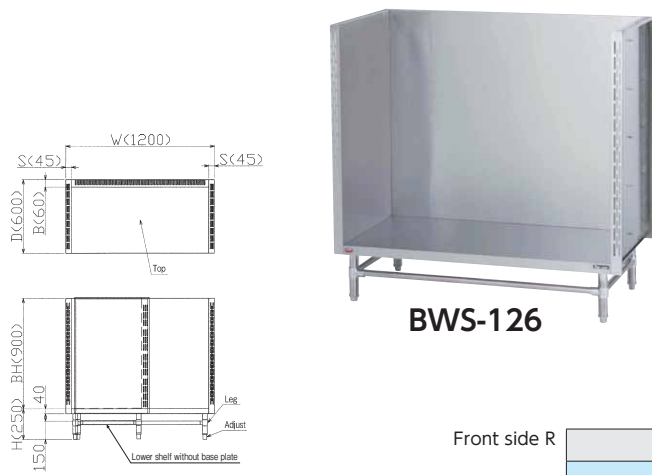


■ Drawing for MG-260B, 270B, 280B, 290B



If the surroundings of the product are not incombustible structure, please install a soup stand or a Heat Insulating Board for your safety.

Soup Stand (Three-side back guard)

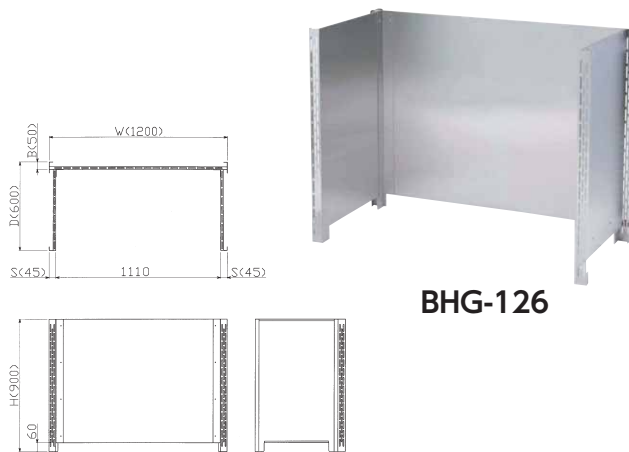


■ Soup Stand Specifications Table

Model	External dimensions (mm)						SUS430
	W	D	H	BH	B	S	List Price(tax-excluded)
BWS-066	600	600	250	900	60	45	¥63,000
BWS-126	1,200	600	250	900	60	45	¥89,000
BWS-186	1,800	600	250	900	60	45	¥116,000
BWS-077	750	750	250	1,000	60	45	¥84,000
BWS-157	1,500	750	250	1,000	60	45	¥121,000
BWS-227	2,250	750	250	1,000	60	45	¥157,000

※ Delivery date is about 1 weeks after receipt of order.

Heat Insulating Board (Three-side guard)



■ Heat Insulating Board Specifications Table

Model	External dimensions (mm)					SUS430
	W	D	H	B	S	List Price(tax-excluded)
BHG-066	600	600	900	50	45	¥40,000
BHG-126	1,200	600	900	50	45	¥53,000
BHG-186	1,800	600	900	50	45	¥66,000
BHG-077	750	750	1,000	50	45	¥55,000
BHG-157	1,500	750	1,000	50	45	¥74,000
BHG-227	2,250	750	1,000	50	45	¥92,000

※ Delivery date is about 1 weeks after receipt of order.

※ Please contact us for more details.