

Steamer basket type

Compact Design!
Various install location can be chosen!
Outstanding Demonstration by steam splash!

Regular Product for department stores, supermarkets and deli department.

- Small but high-powered boiler enables quick startup and speedy steaming.
- Continuous automatic water feeding system installed.
- Exterior made of all stainless steel is durable and hygienic.
- One touch operation to switch to Keep Warm mode during idle time – energy saving. (Electric)
- Piezoelectric lighting method, pilot safety shut off device, and low-water cut off device are equipped. (Gas)
- Low-water cut off device and float switch are equipped. (Electric)



Products with this mark, has passed the type inspection of the Japan Gas Appliances Inspection Association. (LP gas, 13A)



Make sure a water softener is attached when installed. If the hardness of raw water is high or the water consumption is large, fully automatic water softener is recommended.

Gas Great improvement in thermal efficiency to achieve more steam generating quantity and more energy saving!

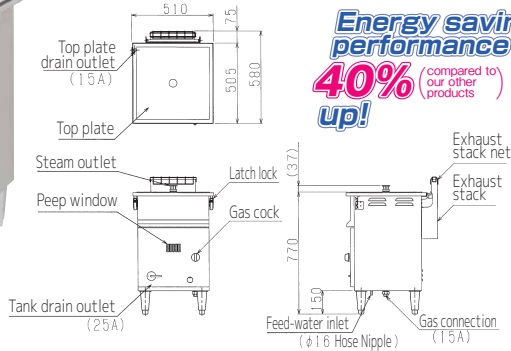
With dry-heating preventive device

MUS-055D List Price ¥220,000 (tax-excluded)



MUS-055DNU With cartridge type water softener List Price ¥250,000 (tax-excluded)

Energy saving performance
40% up! (compared to our other products)

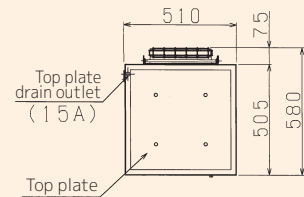


Steam outlet 4-hole type is also available.

MUS-055D4 List Price ¥220,000 (tax-excluded)



MUS-055D4NU With cartridge type water softener List Price ¥250,000 (tax-excluded)

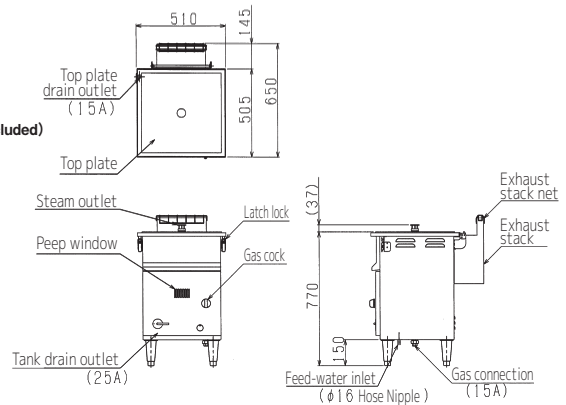


Steamer basket lifter spec

MUS-055SD List Price ¥220,000 (tax-excluded)

MUS-055SDNU With cartridge type water softener List Price ¥250,000 (tax-excluded)

Energy saving performance
40% up! (compared to our other products)

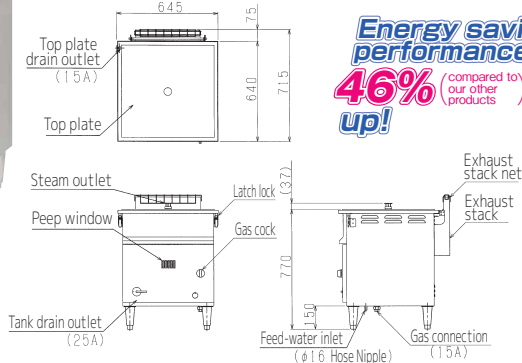


MUS-066D List Price ¥390,000 (tax-excluded)



MUS-066DNU With cartridge type water softener List Price ¥420,000 (tax-excluded)

Energy saving performance
46% up! (compared to our other products)

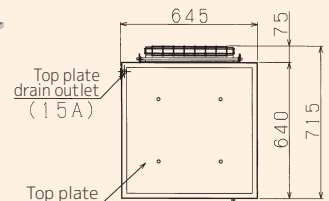


Steam outlet 4-hole type is also available.

MUS-066D4 List Price ¥390,000 (tax-excluded)



MUS-066D4NU With cartridge type water softener List Price ¥420,000 (tax-excluded)



Steamer basket Type <Gas> Specifications

Model	External dimensions (mm)			Top plate effective dimensions (mm)		Usable steamer basket dimensions (mm)	No. of steam holes	Gas consumption		Steam generating quantity	Gas connection	Feed-water inlet	Tank drain outlet	Top plate drain outlet	Weight (kg)
	Width	Depth	Height	Width	Depth			Town gas	LPG						
MUS-055D (NU)						360~390	1								
★MUS-055D4 (NU)	510	580	770	455	455	ø150 Mini Chinese basket	4	11.6kW (10,000kcal/h)	11.6kW (0.85kg/h)	13 l/h	15A	ø16 hose nipple	25A	15A	65
★MUS-055SD (NU)		650				360~390	1								
MUS-066D (NU)						420~450	1								
★MUS-066D4 (NU)	645	710	770	590	590	ø150 Mini Chinese basket	4	17.4kW (15,000kcal/h)	17.4kW (1.25kg/h)	20 l/h	15A	ø16 hose nipple	25A	15A	80

※Models (NU) have cartridge type water softener (NFX-OS). Delivery date for models with ★mark is about 10 days after receipt of order.

POINT!



For both Gas type and Electric type, top plate can flip-open to facilitate cleaning inside the tank.

Steamer basket type cooking capacity
(capacity per one unit of 45cm square steamer basket)

Menu	Weight of ingredient/piece	Quantity	Cooking time
Frozen shumai	30g	90	20min
Frozen Chinese Bun	80g	20	20min
Chawanmushi (savory steamed egg custard)	120g	20	20min



Electric

Excellent thermal efficiency! Top-level Steam Generating Quantity*(compared with the equivalent steamer to others)

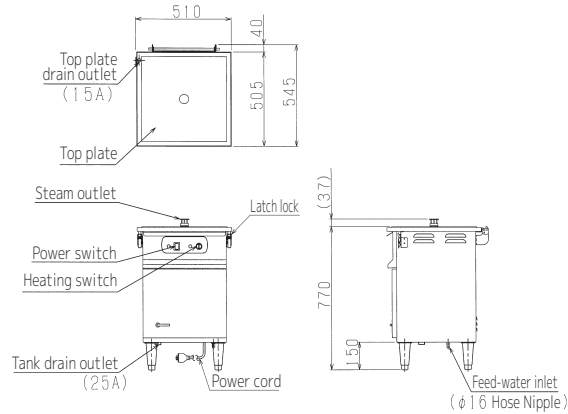
With dry-heating preventive device

Model Change



MUSE-055B1 List Price ¥400,000 (tax-excluded)

MUSE-055B1NU With cartridge type water softener List Price ¥430,000 (tax-excluded)



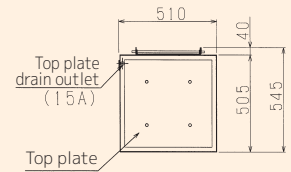
Steam outlet 4-hole type is also available.

MUSE-055B4 List Price ¥400,000 (tax-excluded)

MUSE-055B4NU With cartridge type water softener List Price ¥430,000 (tax-excluded)



Model Change

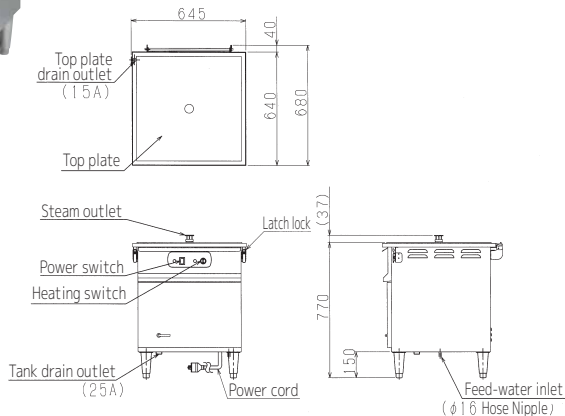


Model Change



MUSE-066B1 List Price ¥448,000 (tax-excluded)

MUSE-066B1NU With cartridge type water softener List Price ¥478,000 (tax-excluded)



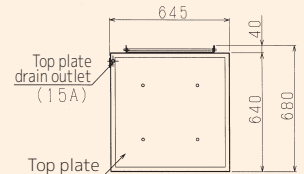
Steam outlet 4-hole type is also available.

MUSE-066B4 List Price ¥448,000 (tax-excluded)

MUSE-066B4NU With cartridge type water softener List Price ¥478,000 (tax-excluded)



Model Change



Steamer basket Type <Electric> Specifications

Model	External dimensions (mm)			Top plate effective dimensions (mm)		Usable steamer basket dimensions (mm)	No. of steam holes	Power (50/60Hz)	Power consumption	Steam generating quantity	Necessary hand switch capacity	Power cord	Feed-water inlet	Tank drain outlet	Top plate drain outlet	Weight (kg)
	Width	Depth	Height	Width	Depth											
MUSE-055B1 (NU)	510	545	770	505	505	360~390	1	3φ200V	6.0kW	9.10/h	20A	2m Ground 3P 20A with hook plug	φ16 Hose Nipple	25A	15A	48
MUSE-055B4 (NU)						φ150 Mini Chinese basket	4									
MUSE-066B1 (NU)	645	680	770	590	590	420~450	1	3φ200V	9.0kW	13.40/h	30A	2m Ground 3P 30A with hook plug	φ16 Hose Nipple	25A	15A	65
MUSE-066B4 (NU)						φ150 Mini Chinese basket	4									

※Delivery date is about 2 weeks after receipt of order. ※ Models (NU) have cartridge type water softener (NFX-OS).