

## Top series of Maruzen fryer of fully reaching Good Taste, cost and workability.



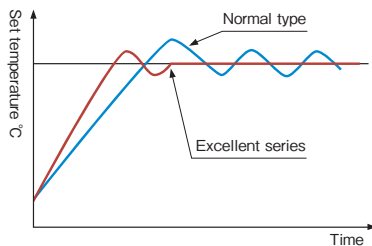
### Oil temperature control without missing the good taste.

The microcomputer control regulates the oil temperature from 100°C to 240 °C by increments of 1°C. Cooking temperature zone can cope with a wide menu variety, yet resulting in uniform frying, and meeting satisfaction for all aspects such as taste, incense and color. Operation is easy with the touch of the touch panel sheet. In addition, it prevents oil and water from entering the interior.



### Good taste is kept by reducing the oxidation of oil.

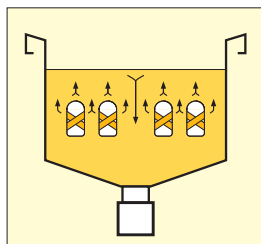
Proportional control scheme adopted in the burner control, control to optimize the flow rate of the gas. This prevents excessive heating of the oil and suppresses the oxidation of the oil. In addition, with the Maruzen's original special circulation heating method, oil does not become cloudy. Furthermore, since cooking is done in a proper temperature with less portion of the dirt, delicious fried food will be made.



### Oil temperature rises quickly even in case of the frozen food.

A Maruzen's original special oval hole heat pipe is adopted. Thermal efficiency has been improved by the strong heat of the burner much further. Oil temperature rises quickly even in case of frozen food.

Moreover, there is no waste to energy, and it is especially effective for energy saving because only the upper layer of the oil tank is heated for cooking.



**NEW**

### Regular type is reduced oil amount between 5% to 9%!

Regular type is also equipped with hole heat pipe for high-calorie which had been used only for fast food type. It reduces oil amount between 5% to 9%

Therefore, you can reduce the cost for buying oil and treatment of waste oil.

**NEW**

### All the models are secured a space over 150mm from the ground! Cleanability is dramatically improved!

We made a space from the ground that regular type is 150mm and fast food type is 200mm. That makes cleaning easier.



### Design that is easy for clean and working.

Special oval-hole heat pipe is even better to cleanability as well as thermal efficiency. With its shape, it is easier access with hand to the bottom of the oil tank. Bits of batter accumulated can easily be removed. Oil tank is clean with a lid of stainless steel.

Equipped overheating prevention device and pilot safety shut off device.



### Option to increase the ease of use.

We have an extensive variety of options such as fried food basket, flat net, and American dog skewer receiver. (Refer to P.15)

### Equipped overheating prevention device and pilot safety shut off device.

Gas fryer <Excellent Series> is compatible with the specification of the description of the Minister of Land, Infrastructure and Transport Secretariat Government Buildings Department supervision "public building construction standard specifications" (machine facility equipment work).

## Regular type -1-tank



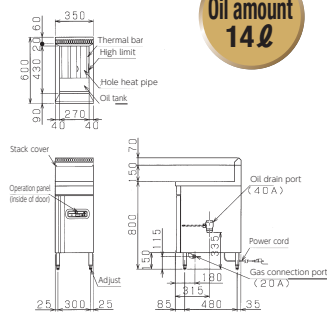
**Model Change**

### MXF-036C

List Price : ¥252,000 (tax-excluded)



Oil amount 14ℓ



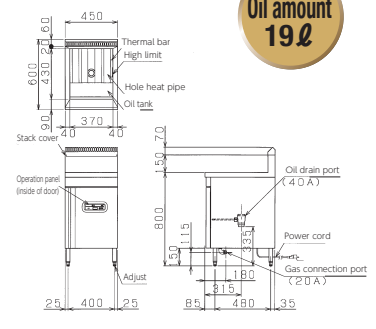
**Model Change**

### MXF-046C

List Price : ¥280,000 (tax-excluded)



Oil amount 19ℓ



**Regular type -1-tank**

Please choose according to application and space.

**MXF-056C**

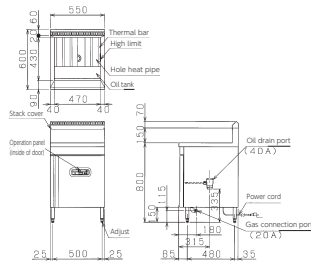
List Price : ¥327,000  
(tax-excluded)

JFEA



Oil amount  
24ℓ

Model Change



**MXF-076C**

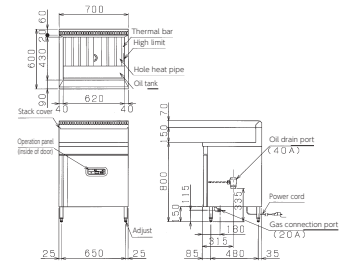
List Price : ¥409,000  
(tax-excluded)

JFEA



Oil amount  
31ℓ

Model Change



**MXF-096C**

List Price : ¥454,000  
(tax-excluded)

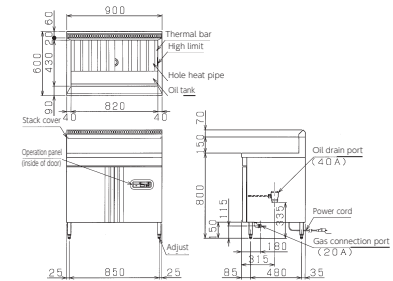
JFEA



Oil amount  
41ℓ



Model Change



**Regular type -2-tank**

It is most suitable to perform the deep-fried food of different types.

**MXF-076WC**

List Price : ¥505,000  
(tax-excluded)

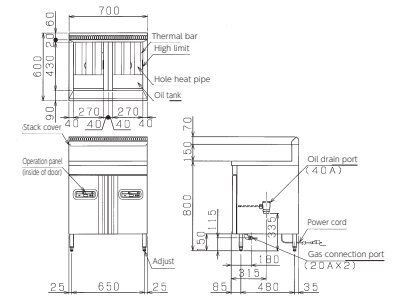
JFEA



Oil amount  
14ℓ×2



Model Change



**MXF-096WC**

List Price : ¥562,000  
(tax-excluded)

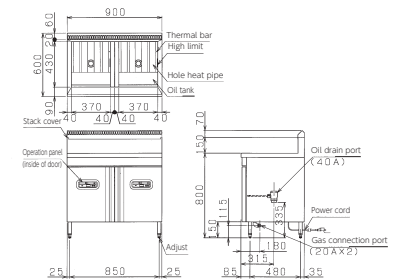
JFEA



Oil amount  
19ℓ×2



Model Change



**MXF-116WC**

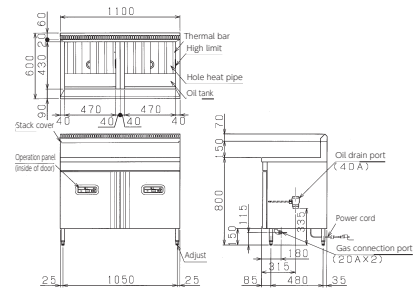
List Price : ¥655,000  
(tax-excluded)



Oil amount  
24ℓ×2



Model Change



**MXF-146WC**

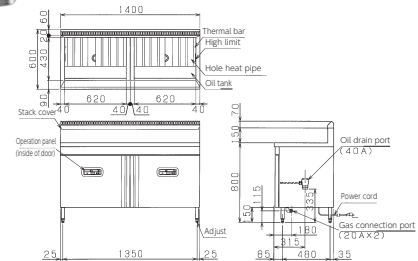
List Price : ¥779,000  
(tax-excluded)



Oil amount  
31ℓ×2



Model Change



**Fast Food type -1-tank**

please choose according to Space and quantity of cooking.

● **Quick and delicious for large volume cooking.**

Even a large amount of ingredients are not overlapped thanks to deep oil tank, you can cook quickly without impairing the taste .

● **Continuous cooking in the affluent firepower.**

The fire power of a burner is increased in accordance with the increase of the oil amount. You can continue cooking efficiently, and correspond even when at peak time.

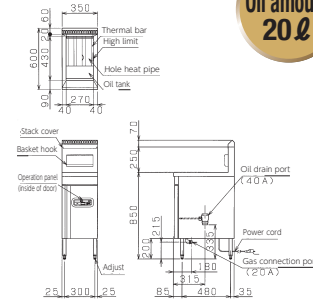
● **Please choose from all six models of 1-2 tank type to meet the needs of our customers.**

**MXF-036FC**

List Price : ¥298,000  
(tax-excluded)



Oil amount  
20ℓ



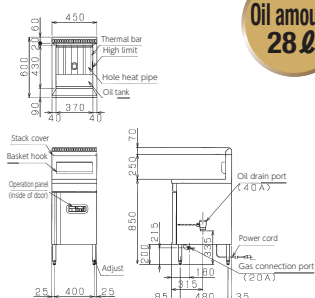
Model Change

**MXF-046FC**

List Price : ¥348,000  
(tax-excluded)



Oil amount  
28ℓ



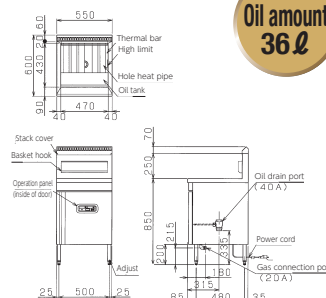
Model Change

**MXF-056FC**

List Price : ¥388,000  
(tax-excluded)



Oil amount  
36ℓ



Model Change

**MXF-076FWC**

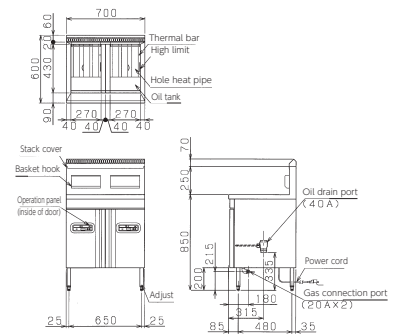
List Price : ¥596,000  
(tax-excluded)

JFEA

Oil amount  
20ℓ×2



Model Change



**MXF-096FWC**

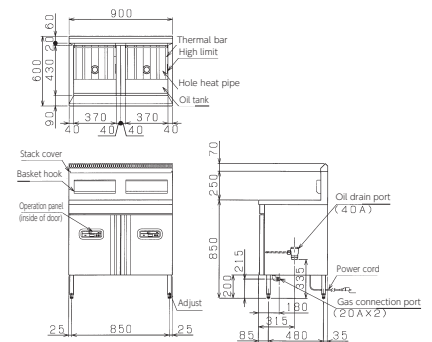
List Price : ¥696,000  
(tax-excluded)

JFEA

Oil amount  
28ℓ×2



Model Change



**MXF-116FWC**

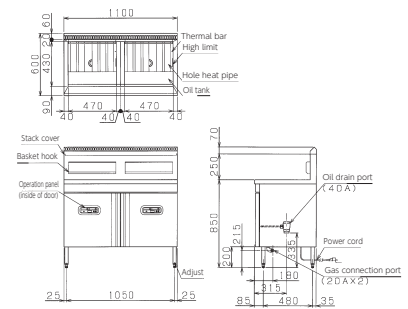
List Price : ¥776,000  
(tax-excluded)

JFEA

Oil amount  
36ℓ×2



Model Change



**Tofu type**

- deep-fried tofu, fried tofu, and Ganmodoki (deep-fried tofu mixed with thinly sliced vegetables), tofu menu -only model.
- 2-tank type that is selectively used as high/low temperature tank can perform temperature control in the range of 100°C ~240°C.
- Considering the juicy deep-fried tofu, it is equipped with a high efficiency hole heat pipe for tofu type only.

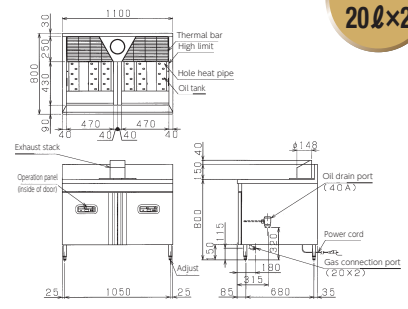
Model Change

**MXF-118TFC**

List Price : ¥698,000  
(tax-excluded)



Oil amount  
20ℓ×2



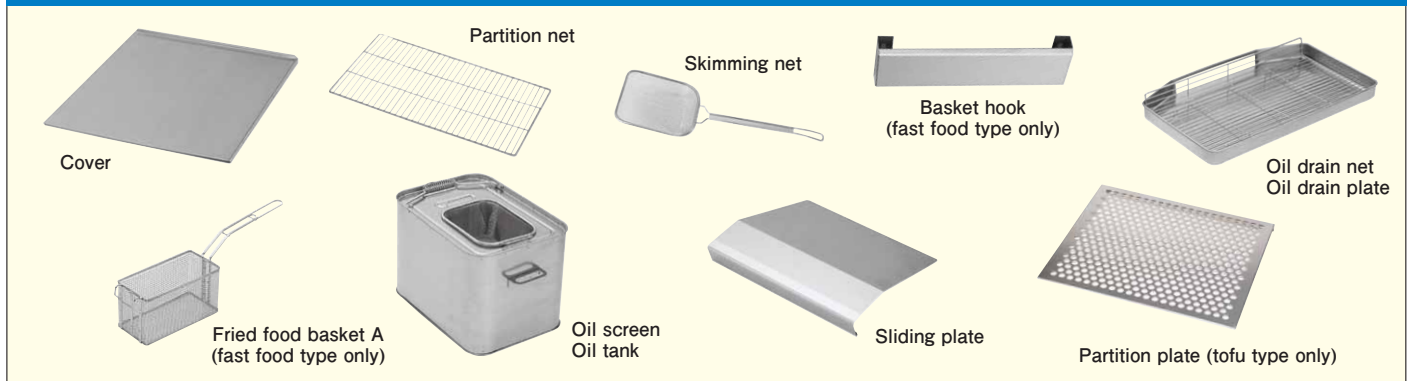


## Gas Fryer <Excellent Series> Specifications Table

| Model          | External dimension (mm) |       |        |             |          | Door number | Oil amount (ℓ) | Gas consumption      |                  | Gas connection | Power consumption 1φ100V 50/60Hz (W) | Power cord                          | Weight (kg) | Accessories   |          |            |              |               |                 |               |                     |             |         |  |  |  |  |  |  |  |  |
|----------------|-------------------------|-------|--------|-------------|----------|-------------|----------------|----------------------|------------------|----------------|--------------------------------------|-------------------------------------|-------------|---------------|----------|------------|--------------|---------------|-----------------|---------------|---------------------|-------------|---------|--|--|--|--|--|--|--|--|
|                | Width                   | Depth | Height | Height back | Town gas |             |                | LP gas               | Cover            |                |                                      |                                     |             | Partition net | Oil tank | Oil screen | Skimming net | Sliding plate | Oil drain plate | Oil drain net | Fried food basket A | Basket hook | Divider |  |  |  |  |  |  |  |  |
|                |                         |       |        |             |          |             |                |                      |                  |                |                                      |                                     |             |               |          |            |              |               |                 |               |                     |             |         |  |  |  |  |  |  |  |  |
| Regular type   | MXF-036C                | 350   | 600    | 800         | 150      | 1           | 14             | 7.56kW( 6,500kcal/h) | 7.56kW(0.54kg/h) | 20A            | 20                                   | 2.5m with plug (ground adapter) (⚡) | 46          | 1             | 1        | S1         | 1            | 1             | 1               | 1             |                     |             |         |  |  |  |  |  |  |  |  |
|                | MXF-046C                | 450   | 600    | 800         | 150      | 1           | 19             | 10.5kW( 9,000kcal/h) | 10.5kW(0.75kg/h) | 20A            | 20                                   |                                     | 53          | 1             | 1        | L1         | 1            | 1             | 1               | 1             | 1                   |             |         |  |  |  |  |  |  |  |  |
|                | MXF-056C                | 550   | 600    | 800         | 150      | 1           | 24             | 12.8kW(11,000kcal/h) | 12.2kW(0.88kg/h) | 20A            | 20                                   |                                     | 61          | 1             | 1        | S2         | 2            | 1             | 1               | 1             | 1                   |             |         |  |  |  |  |  |  |  |  |
|                | MXF-076C                | 700   | 600    | 800         | 150      | 1           | 31             | 18.0kW(15,500kcal/h) | 17.4kW(1.25kg/h) | 20A            | 20                                   |                                     | 75          | 1             | 1        | S1,L1      | 2            | 1             | 1               | 1             | 1                   |             |         |  |  |  |  |  |  |  |  |
|                | MXF-096C                | 900   | 600    | 800         | 150      | 2           | 41             | 22.7kW(19,500kcal/h) | 19.8kW(1.42kg/h) | 20A            | 20                                   |                                     | 86          | 1             | 1        | L2         | 2            | 1             | 1               | 1             | 1                   |             |         |  |  |  |  |  |  |  |  |
|                | MXF-076WC               | 700   | 600    | 800         | 150      | 2           | 14×2           | 15.1kW(13,000kcal/h) | 15.1kW(1.08kg/h) | 20A×2          | 40                                   |                                     | 81          | 1             | 2        | S2         | 2            | 2             | 2               | 1             | 1                   |             |         |  |  |  |  |  |  |  |  |
|                | MXF-096WC               | 900   | 600    | 800         | 150      | 2           | 19×2           | 20.9kW(18,000kcal/h) | 20.9kW(1.50kg/h) | 20A×2          | 40                                   |                                     | 95          | 1             | 2        | L2         | 2            | 2             | 2               | 1             | 1                   |             |         |  |  |  |  |  |  |  |  |
|                | MXF-116WC               | 1,100 | 600    | 800         | 150      | 2           | 24×2           | 25.6kW(22,000kcal/h) | 24.4kW(1.75kg/h) | 20A×2          | 40                                   |                                     | 110         | 2             | 2        | S2,L1      | 3            | 2             | 2               | 1             | 1                   |             |         |  |  |  |  |  |  |  |  |
|                | MXF-146WC               | 1,400 | 600    | 800         | 150      | 2           | 31×2           | 36.0kW(31,000kcal/h) | 34.9kW(2.50kg/h) | 20A×2          | 40                                   |                                     | 131         | 2             | 2        | L3         | 3            | 2             | 2               | 1             | 1                   |             |         |  |  |  |  |  |  |  |  |
| Fast Food type | MXF-036FC               | 350   | 600    | 850         | 250      | 1           | 20             | 11.6kW(10,000kcal/h) | 9.88kW(0.71kg/h) | 20A            | 20                                   |                                     | 49          | 1             | 1        | S1         | 1            |               |                 |               |                     |             |         |  |  |  |  |  |  |  |  |
|                | MXF-046FC               | 450   | 600    | 850         | 250      | 1           | 28             | 15.1kW(13,000kcal/h) | 13.4kW(0.96kg/h) | 20A            | 20                                   |                                     | 56          | 1             | 1        | L1         | 1            |               |                 |               |                     |             |         |  |  |  |  |  |  |  |  |
|                | MXF-056FC               | 550   | 600    | 850         | 250      | 1           | 36             | 17.4kW(15,000kcal/h) | 14.5kW(1.04kg/h) | 20A            | 20                                   |                                     | 69          | 1             | 1        | S2         | 2            |               |                 |               |                     |             |         |  |  |  |  |  |  |  |  |
|                | MXF-076FWC              | 700   | 600    | 850         | 250      | 2           | 20×2           | 23.3kW(20,000kcal/h) | 19.8kW(1.42kg/h) | 20A×2          | 40                                   |                                     | 90          | 1             | 2        | S2         | 2            |               |                 |               |                     |             |         |  |  |  |  |  |  |  |  |
|                | MXF-096FWC              | 900   | 600    | 850         | 250      | 2           | 28×2           | 30.2kW(26,000kcal/h) | 26.7kW(1.92kg/h) | 20A×2          | 40                                   |                                     | 104         | 1             | 2        | L2         | 2            |               |                 |               |                     |             |         |  |  |  |  |  |  |  |  |
|                | MXF-116FWC              | 1,100 | 600    | 850         | 250      | 2           | 36×2           | 34.9kW(30,000kcal/h) | 29.1kW(2.08kg/h) | 20A×2          | 40                                   |                                     | 123         | 2             | 2        | L3         | 3            |               |                 |               |                     |             |         |  |  |  |  |  |  |  |  |
| Tofu type      | ★MXF-118TFC             | 1,100 | 800    | 800         | 150      | 2           | 20×2           | 25.6kW(22,000kcal/h) | 24.4kW(1.75kg/h) | 20A×2          | 40                                   |                                     | 117         | 2             |          | L2         | 2            | 2             |                 |               |                     |             |         |  |  |  |  |  |  |  |  |

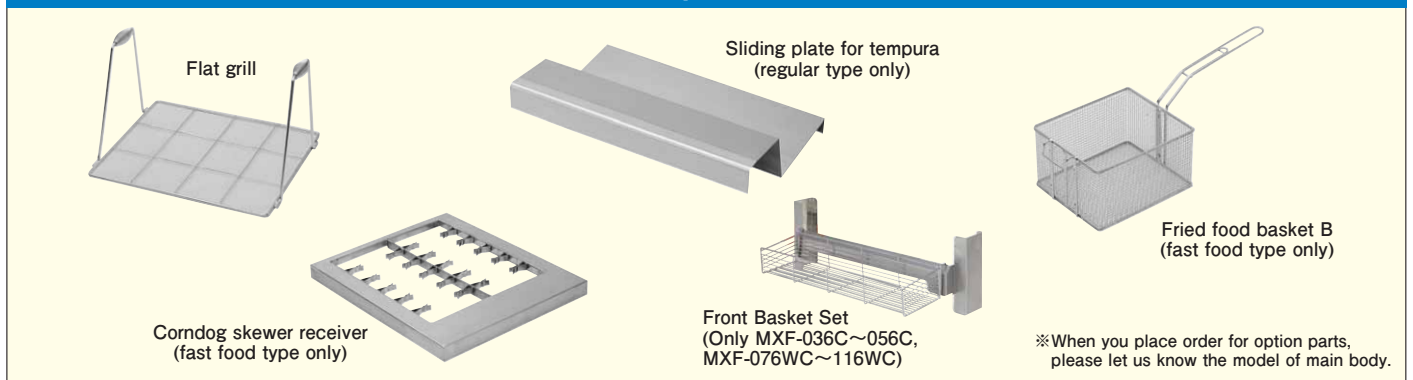
★It is about 2 weeks for the delivery time after an order delivery model marked.

## Accessories



●There may have different sizes and specs depending on the model.

## Option



※When you place order for option parts, please let us know the model of main body.