

Easy-to-use and simple design and low price, the ultimate functionality of gas range and gas table!

- Top burner has a clogging-preventive structure which is safe from fire dying out by boiling over.
- Heating from below and from the top effectively heats the oven up, offering an even and best finish of the cooked food.
- Our original air heat insulating design prevents the main body from overheating.
- The oven is fully made of stainless steel. It is not only improving durability but also excellent from a sanitary point of view. Especially, frosted SUS 430 No.4 is used for the top, which creates a sophisticated looking.
- There are 14 models in total, 7 models for gas range, 5 models for gas table and 2 models for soup range. You can choose the best one for your purpose of use.
- We also have option part of back guard for gas range / gas table and back guard and side guards for soup range respectively.

Standard Type Gas Range

MGR-074DS

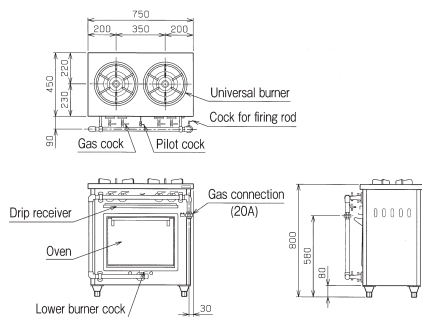
List Price : ¥170,000 (tax-excluded)

Counter type

※ Only lower heat is available for oven.

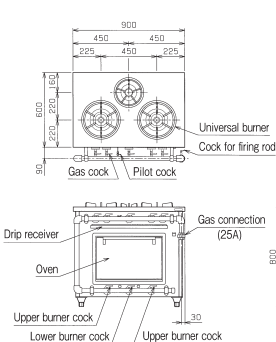


Depth 450 mm



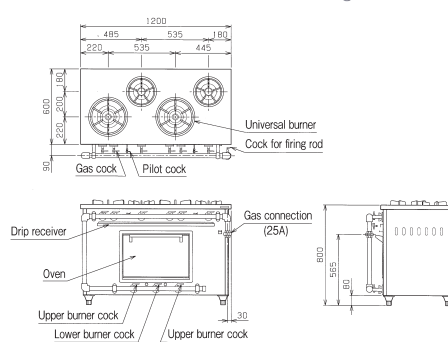
MGR-096DS

List Price : ¥194,000 (tax-excluded)



MGR-126DS

List Price : ¥239,000 (tax-excluded)

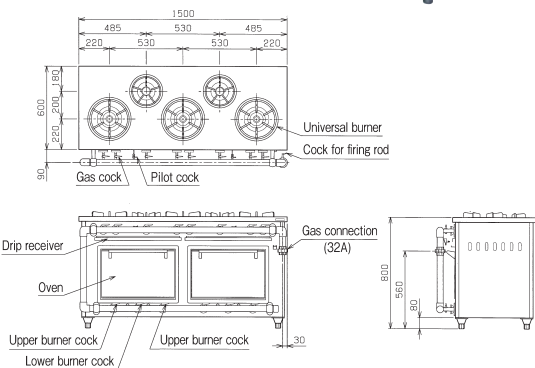


MGR-156DS

List Price : ¥350,000 (tax-excluded)



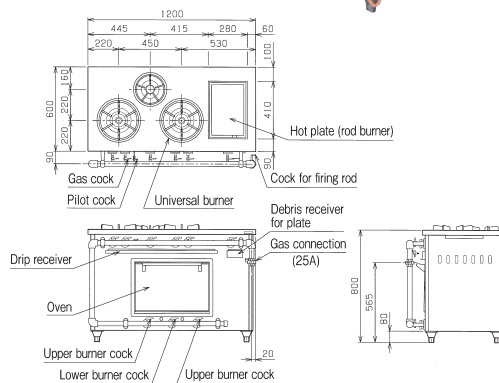
Depth 600 mm



MGR-126TDS☆

List Price : ¥300,000 (tax-excluded)

With hot plate



● Each model of MGR, except for 159W, has a type with the gas connection on the left side. This is shown in the model name with a letter L at the end. (The price is the same.)

■ Delivery date for the models with ☆ mark is about 2 weeks after receipt of order.

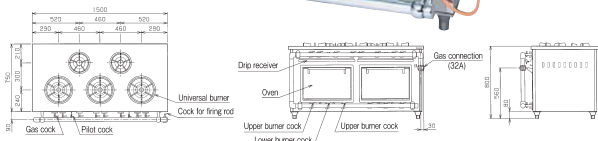
Standard Series (Equipped with Universal Burner)

MGR-157DS

List Price : ¥374,000 (tax-excluded)



Depth 750 mm



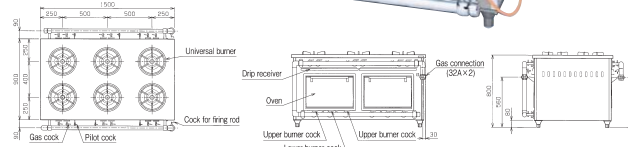
MGR-159WDS☆

List Price : ¥579,000 (tax-excluded)

Double-sided



Depth 900 mm



Specifications Table

Standard Type Gas Range Specifications Table <MGR> *Maximum pot diameter for $\phi 175$ burner is $\phi 360$ mm & for $\phi 125$ burner is $\phi 300$ mm.

Model	External dimension (mm)			Usable side	No. of burners					No. of ovens	Inside of oven usable dimension (mm)			Gas consumption		Gas connection (union)	Weight (kg)
	Width	Depth	Height		Top		Oven		Hot plate		Width	Depth	Height	Town gas	LP gas		
					$\phi 175$	$\phi 125$	Upper heat	Lower heat									
MGR-074DS counter type	750	450	800	Single	2	—	—	1	—	1	420	320	320	28.6kW (24,600kcal/h)	28.6kW (2.05kg/h)	20A	75
MGR-096DS	900	600	800	Single	2	1	2	1	—	1	470	470	320	37.9kW (32,600kcal/h)	37.9kW (2.72kg/h)	25A	111
MGR-126DS	1,200	600	800	Single	2	2	2	1	—	1	470	470	320	44.0kW (37,800kcal/h)	44.0kW (3.15kg/h)	25A	121
MGR-156DS	1,500	600	800	Single	3	2	4	2	—	2	470	470	320	63.7kW (54,800kcal/h)	63.7kW (4.57kg/h)	32A	187
MGR-157DS	1,500	750	800	Single	3	2	4	2	—	2	470	470	320	63.7kW (54,800kcal/h)	63.7kW (4.57kg/h)	32A	198
MGR-159WDS Double-sided	1,500	900	800	Double	6	—	4	2	—	2	470	750	320	93.7kW (80,600kcal/h)	93.7kW (6.72kg/h)	32A×2	278
MGR-126TDS with hot plate	1,200	600	800	Single	2	1	2	1	1	1	470	470	320	41.0kW (35,250kcal/h)	41.0kW (2.94kg/h)	25A	132