

# Deluxe *Ryujin* Series

*Choose your burner and use different flames depending on the menu!  
Highly durable cast iron combustion chamber makes the difference.*

Chinese cuisine requires various heating methods. DRX can create the best system for the menu structure of your restaurant, combining and selecting the burner type, stove diameter and type of stoves.



**Screw Blast Burner (25,000kcal/h)**

Maruzen's original screw blast burner jets a swirling flame that intensively heats the center of the bottom of the pan. There is no waste of flame, which is efficient and also excellent in quietness.

## Wide variety of burners for heating power and combustion method

The burners for DRX are not only "Screw Blast Burner" but also "Jumbo Blast Burner" (known as powerful heating) and "High Power Burner" (easy to use). Each burner can be combined with either frying stove, spare stove and fried noodle stove, creating the best machine for your restaurant.



■ Jumbo Blast Burner (25,000kcal/h)

■ High Power Burner(8 inches)



### ■ Stove diameters and burners

Burner	Stove Diameter	Frying stove			Fried Noodle stove	Spare stove
		φ300	φ330	φ360	φ390	φ250
High Power Burner	17,000kcal/h (8 inches)	●	●	●		
	20,000~24,000kcal/h (10 inches)				●	
	6,000kcal/h (5 inches)					●
Screw Blast Burner	20,000kcal/h	●	●	●		
	25,000kcal/h		●	●		
	35,000kcal/h				●	
Jumbo Blast Burner	25,000kcal/h	●	●	●		
	30,000kcal/h		●	●	●	

## Blast Burner - easy adjustment of flame

Screw and Jumbo Blast Burners are easy to adjust the flame from a low flame to a high flame. The lever is equipped at knee height, so it can be adjusted by your knee and it is easy operation.



## From a low flame to a high flame, flexible flame adjustment

Simple lever operation enables a fine adjustment of flame from low to high, which widens variety of menus. We have Screw Blast Burner which intensively heats the center of the bottom of the pan by a swirling flame and Jumbo Blast Burner which enables wide range of flame adjustment.

Standard range of heating power by lever operation

	Stove Diameter	MIN~MAX (kcal/h)
Screw Blast Burner	φ300	9,500~20,000
	φ330	9,500~25,000
	φ390	12,500~35,000
Jumbo Blast Burner	φ300	7,000~25,000
	φ330	7,000~30,000



## Robust frying stove for hard use in busy restaurants

Frying stove and Fried Noodle stove are made of cast iron from the top part to the inner of combustion chamber. It can perform full ability combined with every type of burner and the durability is outstanding. (The image shows Screw Blast Burner.)



## Beautiful and hygienic - monolithic finish of the stove frame and top plate

The stove frame and the top plate are integrated giving a beautiful finish. It is robust and easy to clean. There is no residue of food dropping into gaps, which is hygienic.



## 3 types of frying stoves to choose from for your use

3 types of frying stoves, φ330mm, φ360mm and φ390mm are available. Combining the frying stove with a spare stove, and φ390mm Fried Noodle stove, you can choose the best combination of stoves according to your menu structure. (The image shows High Power Burner.)



## Top plate shower handy for cleaning and cooling

Top plate shower is available when cleaning or cooling down the top plate during continuous cooking. The operation is simple, just using the shower cock at the front of the main body.



## Handy spare stove

Spare stove is equipped with a high power (5 inch) burner. It is suitable for cooking stew.

## Seasoning Tray (Optional)

As an option, a dedicated seasoning tray to be placed on the top plate as an option is available.



# Deluxe *Ryujin* Series

## Front Drainage Type

### DRX-F110-S Frying + Spare

Screw Blast Burner Integrated Spec

List price **¥1,250,000**  
(tax-excluded)

### DRX-F110-J Frying + Spare

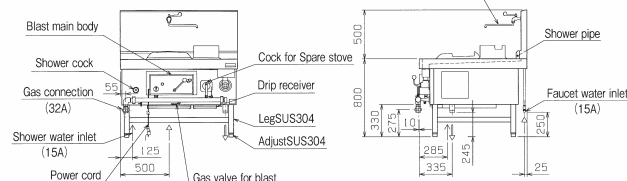
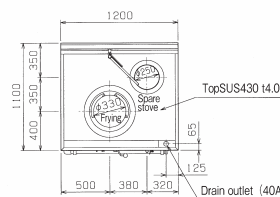
Jumbo Blast Burner Integrated Spec

List price **¥1,250,000**  
(tax-excluded)

### DRX-F110-K Frying + Spare

High Power Burner Integrated Spec

List price **¥850,000**  
(tax-excluded)



※The image and diagram show DRX-F110-S.

## Rear Drainage Type

### DRX-B110-S Frying + Spare

Screw Blast Burner Integrated Spec

List price **¥1,250,000**  
(tax-excluded)

### DRX-B110-J Frying + Spare

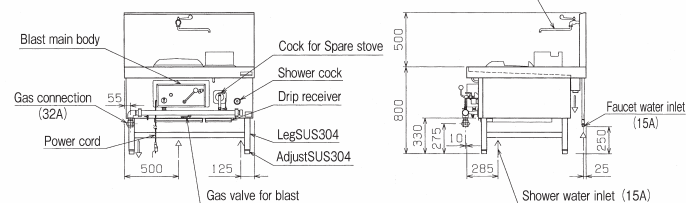
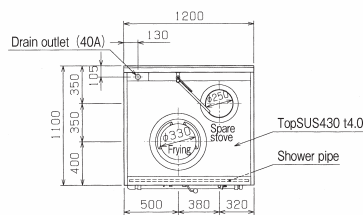
Jumbo Blast Burner Integrated Spec

List price **¥1,250,000**  
(tax-excluded)

### DRX-B110-K Frying + Spare

High Power Burner Integrated Spec

List price **¥850,000**  
(tax-excluded)



※The image and diagram show DRX-B110-S.

## DRX Series Specifications Table

Specifications		Screw Blast Burner Integrated Spec	Jumbo Blast Burner Integrated Spec	High Power Burner Integrated Spec
Model	Front drainage (F)	<b>DRX-F110-S</b>	<b>DRX-F110-J</b>	<b>DRX-F110-K</b>
	Rear drainage (B)	<b>DRX-B110-S</b>	<b>DRX-B110-J</b>	<b>DRX-B110-K</b>
Stoves		Frying stove (1)φ330×1 Spare stove (1) φ250×1	Frying stove (1)φ330×1 Spare stove (1) φ250×1	Frying stove (1)φ330×1 Spare stove (1) φ250×1
Burner	Frying stove	Screw Blast Burner ×1	Jumbo Blast Burner ×1	8 inch High Power Burner ×1
	Spare stove	5 inch High Power Burner ×1	5 inch High Power Burner ×1	5 inch High Power Burner ×1
External dimensions (mm)	Width	1,200	1,200	1,200
	Depth	1,100	1,100	1,100
	Height	800	800	800
	Back	500	500	500
Gas consumption	Town gas (only 13A)	36.0kW (31,000kcal/h)	36.0kW (31,000kcal/h)	26.7kW (23,000kcal/h)
	LP gas	36.0kW (2.58kg/h)	36.0kW (2.58kg/h)	26.7kW (1.92kg/h)
Gas connection		32A	32A	32A
Water inlet		15A×2(Faucet:1, Shower cock:1)	15A×2(Faucet:1, Shower cock:1)	15A×2(Faucet:1, Shower cock:1)
Drain outlet		40A	40A	40A
Rated voltage (50/60Hz)		1φ100V	1φ100V	—
Power consumption (50/60Hz)		41/48W	28/33W	—
Power cord		2m with plug (ground adaptor) ㉞		
Weight (kg)		200	200	190
List price (tax-excluded)		<b>¥1,250,000</b>	<b>¥1,250,000</b>	<b>¥850,000</b>

◆Delivery date of DRX Series is about 3 weeks after receipt of order. ◆Please specify the frequency for the region where the range is used.(50Hz or 60Hz)

# Custom-made combined with various burners is available.

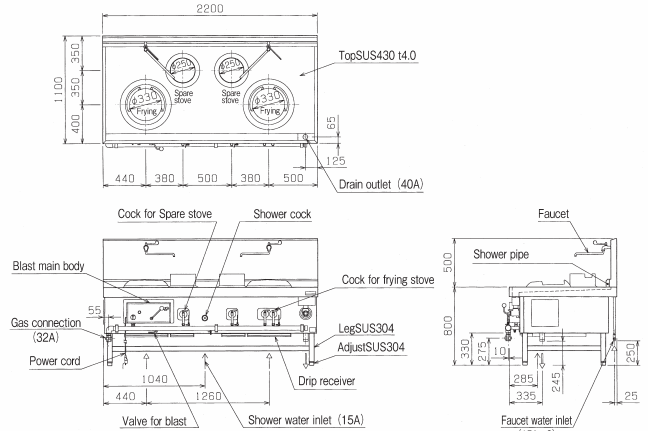
## Sample for Custom-made Frying x2 + Spare x2 Front drainage

Screw Blast Burner x1 + High Power Burner x1 integrated

List price **¥1,900,000**  
(tax-excluded)



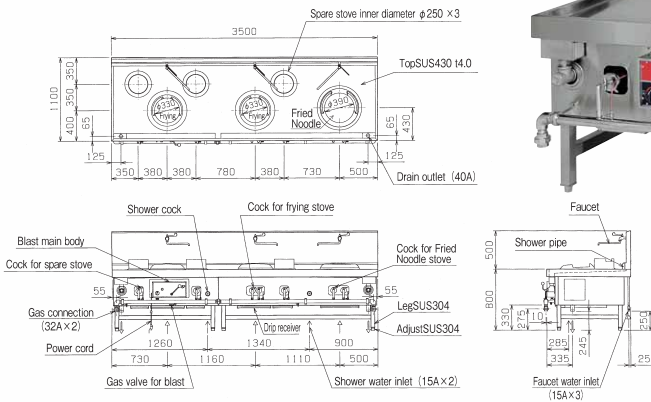
※The price for Deluxe Ryujin Series varies depending on the burner selection and combination. The products and their respective prices shown in this section are just samples of integrating 1 unit of Screw Blast Burner.



## Sample for Custom-made Frying x2 + Spare x3 + Fried Noodle Front drainage

Screw Blast Burner x1 + High Power Burner x2 integrated

List price **¥2,980,000**  
(tax-excluded)



# Full Custom-Made

Deluxe Ryujin Series is available for full custom-made depending on the size of your restaurant and menu structure. Monolithic top plate and back guard, which have no gap, more robust and hygienic specification is also available at your option.

## Sample for Custom-made

